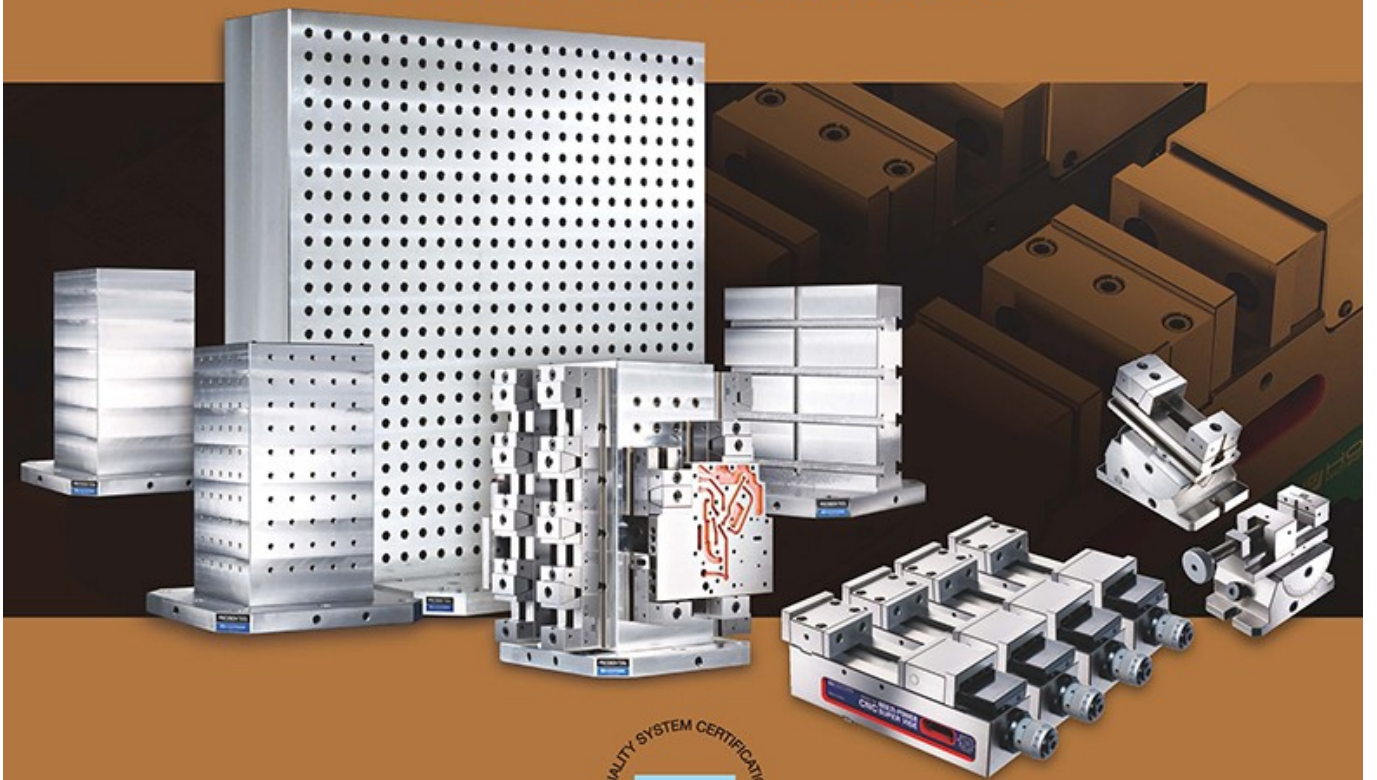




# HOMGE

## Machine Tool Accessories



[www.homge.com.tw](http://www.homge.com.tw)

HOME

PRINT

NEXT ▶



# HOMGE

Высококачественная технологическая  
оснастка для современных станков.

Гарантия высокой точности,  
длительный срок службы и эффективность.  
Наша продукция совершенствуется непрерывно.



Год основания компании: 1978 г





# Изготовитель – Специалист по фрезерным приспособлениям

[← BACK](#)[HOME](#)[PRINT](#)[NEXT →](#)





## Профиль Компании

Мы – профессионалы в производстве технологической оснастки для современных станков с ЧПУ. Впечатляющий рост со времени основания HOMGE в 1978 г. Свидетельствует об упорной работе и настойчивости руководства и сотрудников компании. Наша компания доказала, что она является специалистом номер один в вопросах технологического оснащения фрезерно-сверлильно-расточных работ. Мы сосредоточили наши усилия на удовлетворении различных требований к станочной оснастке. Исходя из особенностей наших изделий, мы концентрируем внимание и совершенствуем подходы в сфере контроля качества, обслуживания клиентов и инноваций. Наша компания имеет множество международных патентов, которые наводятся на переднем крае проектирования и технологии.

- Год основания: в 1978 г
- Производственные площади: 6000 м<sup>2</sup>
- Все спецификации и ТУ деталей унифицированы

[← BACK](#)[HOME](#)[PRINT](#)[NEXT →](#)



**ДВОЙНЫЕ МОШНЫЕ ПРЕЦИЗИОННЫЕ ТИСКИ ДЛЯ СТАНКОВ С ЧПУ**  
 Модели: НТВ-5", 6", 8"

P.16



**ДВОЙНЫЕ ПРЕЦИЗИОННЫЕ ТИСКИ ДЛЯ СТАНКОВ С ЧПУ**  
 Модели: HDL-4", 6"

P.18



**КОМПАКТНЫЕ ТИСКИ С ДВОЙНЫМИ ЗАЖИМАМИ**  
 Модель: CD-4"

P.19



**САМОЦЕНТРИРУЮЩИЕ ТИСКИ**  
 Модель: SC-100, 150, 200

P.21



**5-ОСЕВОЙ ЗАЖИМ**  
 Модель: 5AC-20, 26, 34, 20T, 26T, 34T

P.22



**ПНЕВМАТИЧЕСКИЕ ТИСКИ С ПОВЫШЕННЫМ ЗАЖИМАЮЩИМ УСИЛИЕМ**  
 Модель: HBV-4"G, 5"G, 6"G

P.24



**МОШНЫЕ СУПЕРТИСКИ ДЛЯ СТАНКОВ С ЧПУ (Передний монтаж)**  
 Модели: HPAQ-II-160F

P.34



**МОШНЫЕ СУПЕРТИСКИ ДЛЯ СТАНКОВ С ЧПУ (Передний монтаж)**  
 Модели: HPAQ-160F, 200F

P.35



**МОШНЫЕ ПРЕЦИЗИОННЫЕ ТИСКИ С ФИКСИРОВАННЫМ УГЛОМ для станков с ЧПУ**  
 Модели: HPAC-100S, 130S, 160S

P.36



**Прецизионные тиски для СТАНКОВ С ЧПУ**  
 Модели: HVV-4", 6", 8"

P.46



**СТАНКОВ С ЧПУ**  
 Модели: S-100

P.47



**ПРЕЦИЗИОННЫЕ БЫСТРОДЕЙСТВУЮЩИЕ ТИСКИ (Гидравлический)**  
 Модели: HG-150h(A,B,C,D), 175h(B,C,D)  
 HG-200h(B,C,D)

P.48


[← BACK](#)
[HOME](#)
[PRINT](#)
[NEXT →](#)



# НАСТОЯТЕЛЬНО РЕКОМЕНДУЕТСЯ

**САМОЦЕНТРИРУЮЩИЕ ТИСКИ**  
Модели: SC-1-4"

P.20



**ДВОЙНЫЕ ПНЕВМАТИЧЕСКИЕ ТИСКИ  
С ПОВЫШЕННЫМ ЗАЖИМАЮЩИМ УСИЛИЕМ**  
Модели: ND-4"G, 5"G

P.26



**МОЩНЫЕ СУПЕРТИСКИ ДЛЯ СТАНКОВ С ЧПУ**  
Модели: HPAQ-100, 130  
HPAQ-160, 200, 250, 160L, 200L

P.28/30



**МОЩНЫЕ СУПЕРТИСКИ ДЛЯ СТАНКОВ С ЧПУ**  
Модели: HPAQ-160, 200, 250  
HPAQ-160L, 200L

P.28/32



**МОЩНЫЕ ПРЕЦИЗИОННЫЕ ТИСКИ С  
ФИКСИРОВАННЫМ УГЛОМ ДЛЯ СТАНКОВ  
С ЧПУ**  
Модели: HPAС-130, 160, 160L, 200

P.40



**МОЩНЫЕ ПРЕЦИЗИОННЫЕ ТИСКИ С  
ФИКСИРОВАННЫМ УГЛОМ ДЛЯ СТАНКОВ  
С ЧПУ (Передний монтаж)**  
Модели: HPAС-160F, 200F

P.44



**ПРЕЦИЗИОННЫЕ ТИСКИ С ФИКСИРОВАННЫМ  
УГЛОМ ДЛЯ СТАНКОВ С ЧПУ**  
Модели: HPAV-130, 160, 160L, 200

P.45



**ПРЕЦИЗИОННЫЕ БЫСТРОДЕЙСТВУЮЩИЕ  
ТИСКИ**  
Модели: HG-100, 150(A,B,C,D),  
HG-200(A,B,C)

P.49



**Тиски с большим раскрытием для  
обрабатывающих центров**  
Модели: HG-6" SUPER-OPEN 8"  
HG-8" SUPER-OPEN 12"

P.50



**ПРЕЦИЗИОННЫЕ ТИСКИ С ФИКСАЦИЕЙ УГЛА  
(тип потянув спереди)**  
Модели: TV-6" SUPER-OPEN 10"  
TV-8" SUPER-OPEN 12"

P.51



← BACK

HOME

PRINT

NEXT →



# ОБОРУДОВАНИЕ ДЛЯ АВТОМАТИЧЕСКОЙ ОБРАБОТКИ

P.53

**ПНЕВМАТИЧЕСКИЕ ТИСКИ  
С ПОВЫШЕННЫМ ЗАЖИМАЮЩИМ УСИЛИЕМ**  
Модели: HBV-4", 5", 6", 8"



P.56

**ДВОЙНЫЕ ПНЕВМАТИЧЕСКИЕ ПРЕЦИЗИОННЫЕ  
ТИСКИ ДЛЯ СТАНКОВ С ЧПУ**  
Модели: ND-160



P.57

**ПРЕЦИЗИОННЫЙ ДЕЛИТЕЛЬНЫЙ СТОЛ**  
Модели: HPI-300, 450, 600, 800, 1000, 1200



◀ BACK

HOME

PRINT

NEXT ▶

**P.62-68**

## **M/C SQUARE & DOUBLE SIDED TOOLING COLUMNS**

- Heat treated (Normalized)
- Application: Good for horizontal M/C
- Material: FCD 50 / Aluminum A356

### M/C SQUARE TOOLING COLUMNS



■ HSF - TYPE



■ HSH - TYPE



■ HST - TYPE

### M/C DOUBLE SIDED TOOLING COLUMNS



■ HDF - TYPE



■ HDH - TYPE



■ HDT - TYPE

**QUICK MOLDS CHANGE SYSTEM**

P.60



**We Accept Order for Special Design !!**

◀ BACK

HOME

PRINT

NEXT ▶



P.70

**WISE IN-ROW**  
MODEL: HRV-50, 75, 100



P.78

**ALUMINUM VISE**  
MODEL: Crownflex-4010, 5015



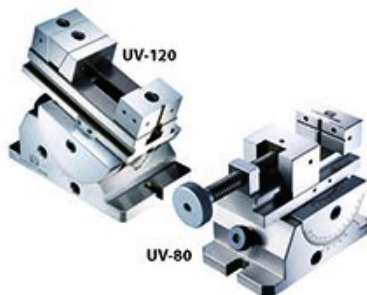
P.82

**MULTI-POWER FIXED ANGLE  
PRECISION VISE (EXTENDED TYPE)**  
MODEL: HMAV-160, 200



P.85

**PRECISION UNIVERSAL VISE**  
MODEL: UV-80, 120



P.86

**PRECISION ANGLE LOCK  
MACHINE VISE**  
MODEL: HAV- 4", 5", 6", 8", 12"



P.86

**PRECISION ANGLE LOCK  
MACHINE VISE**  
MODEL: 6" SUPER-OPEN 8"



P.89

**HYDRAULIC MACHINE VISE**  
MODEL: HH-100, 125, 150, 200



P.89

**TILTING HYDRAULIC MACHINE VISE**  
MODEL: HW-100, 150



P.90

**LOCK II MACHINE VISE**  
MODEL: HMC-6"


[← BACK](#)
[HOME](#)
[PRINT](#)
[NEXT →](#)



P.82

**STANDARD FIXED ANGLE  
PRECISION VISE (EXTENDED TYPE)**  
MODEL: HEAV-160, 200



P.84

**SUPER-OPEN QUICK ACTION VISE**  
MODEL: HSAC-160



P.88

**SUPER-OPEN MILLING VISE**  
MODEL: H-400, 600, 800



P.88

**TILTING SUPER-OPEN VISE**  
MODEL: HHY-100, 150



P.90

**ANGLE-LOCK DRILL PRESS VISE**  
MODEL: HDV-100, 130



P.91

**UNIVERSAL 3-WAY TILTING VISE**  
MODEL: HY-3", 4", 5"



P.91

**K-TYPE MACHINE VISE**  
MODEL: HKV-100, 125, 150, 200



◀ BACK

HOME

PRINT

NEXT ▶



P.93

**DIVIDING PLATE SET FOR HUT-300**  
MODEL: HUT-300DP



P.93

**TAIL STOCK FOR HUT-300**  
MODEL: HUT-300TS



D-07

P.97

**UNIVERSAL DIVIDING HEAD**  
MODEL: B5-2



P.98

**SIMPLE INDEXING SPACER**  
MODEL: CC-6", 8"



P.99

**SUPER INDEXING SPACER**  
MODEL: CS-6", 8"



P.101

**TAIL STOCK FOR ROTARY TABLE**  
MODEL: TS-1, 2, 3



P.101

**DIVIDING PLATE SET FOR ROTARY TABLE**  
MODEL: DP-1, 2, 3



◀ BACK

HOME

PRINT

NEXT ▶



# DIVIDING EQUIPMENT

P.93

**UNIVERSAL TILTING ROTARY TABLE**  
MODEL: HUT-300



P.94

**SUPER DIVIDER**  
MODEL: HSD-7"



P.96

**SEMI-UNIVERSAL DIVIDING HEAD**  
MODEL: BS-0, 1



P.98

**TAIL STOCK FOR CC & CS-TYPE SPACERS**  
MODEL: TS-4, 5



P.99

**DIVIDING PLATE SET FOR CS-6"8"**  
MODEL: DP-4, 5



P.100

**HORIZONTAL / VERTICAL ROTARY TABLE**  
MODEL: HHV-150, 200, 250, 300, 350, 400



P.102

**SUPERIOR UNIVERSAL DIVIDING HEAD**  
MODEL: HCM-2


[◀ BACK](#)
[HOME](#)
[PRINT](#)
[NEXT ▶](#)

## ANGLE FIXTURES

### TILTING TABLE

MODEL: HAP-180, 250, 380, 600



P.104

### TILTING TABLE WITH SWIVEL BASE

MODEL: HAP-180S, 250S, 380S



P.104

## MILLING ATTACHMENTS

### RIGHT ANGLE MILLING HEAD

MODEL: R8, NT30, NT40



P.107

### TILTING ANGLE PLATE

MODEL: HSAP-1, 2, 3, 4



P.105

### SLOTTED ANGLE PLATE

MODEL: HL-4", 6", 8", 10", 12"



P.105

### HORIZONTAL MILLING ATTACHMENT (RIGHT ANGLE MILLING HEAD + ARBOR + SUPPORT)

MODEL: R8, NT30, NT40



P.107



## PERMANENT MAGNETIC SERIES

### PERMANENT MAGNETIC LIFTER

MODEL: ECMC-M 100, M 300, M+600,  
ECMC-M 1000, M 2000



P.109

### ELECTRO-PERMANENT MAGNETIC CHUCK

MODEL: ECMC- A, B, C, D SERIES



P.110

### M/C ELECTRO-PERMANENT MAGNETIC COLUMN (SQUARE, DOUBLE-SIDED)



P.114

### ELECTRO-PERMANENT MAGNETIC INDEX TABLE



P.116

### PERMANENT MAGNETIC VISE

MODEL: ECMC-220, 130



P.118

[← BACK](#)
[HOME](#)
[PRINT](#)
[NEXT →](#)





# DOUBLE CNC MULTI-POWER WISE

Significantly upgrade CNC Machining Centers



If the tolerance of work-piece is more than **5mm**, please adjust this screw.

A special **SPRING DEVICE** allows an extra tolerance of up to **5mm** in workpiece size enabling quick positioning and clamping.



恒 信 工 業 有 限 公 司  
 **HOMGE**  
 MACHINERY IND. CO., LTD.

HOME

PRINT

NEXT ▶

# Double CNC Multi-Power Vise

## Model: HTB-5", 6", 8"

1. A special **SPRING DEVICE** allows an extra tolerance of up to **5mm** in workpiece sizes, which enables automatically quick positioning and clamping.
2. The vise can hold 2 workpieces of different sizes with max. difference of **25mm**.
3. The **Special ANGLE-LOCK SYSTEM** with compact design and high-grade iron of over FCD 60 grade for high rigidity automatically pulls the workpiece down to its accurate position.
4. **Fixed Height**, so several vises can be used together.
5. Double Leadscrew Covers protect Leadscrew from swarf.

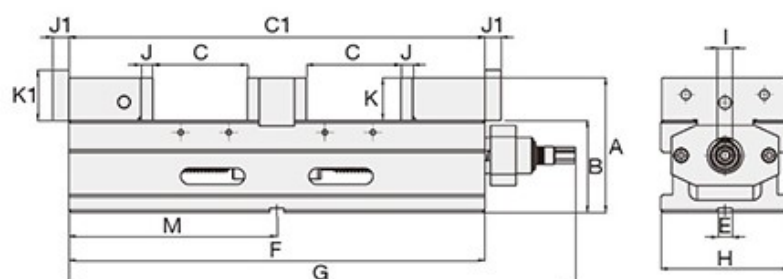


### DIMENSIONS



#### STANDARD ACCESSORIES:

- 2 pcs of Alignment Wedge
- 4 pcs of Clamp
- 1 pc of Wrench
- 1 pc of T Type Wrench



### SPECIFICATIONS (Material: FCD60 Ductile Iron, Hardness:HRC 50\*)

Unit: mm

Model	A	B	C	C1	E	F	G	H	I	J	J1	K	K1	M	Weight (kg)
HTB-5"	168	115±0.01	94	472	18	<b>472</b>	584	134	19	15	20	53	63	236	53
HTB-6"	168	115±0.01	120	520	18	<b>520</b>	632	161	19	15	20	53	63	260	62
HTB-8"	187	120±0.01	150	620	18	<b>620</b>	732	200	19	18	24	66	75	310	112



Factory: No.287, Sec. 1, Shenlin Rd., Daya Dist., Taichung City 428, Taiwan  
 Tel: 886-4-2567 2057 . 2566 6158 | Fax: 886-4-2567 2016 . 2568 6099  
 E-mail: homge@ms22.hinet.net | <http://www.homge.com.tw>



©2017 COPYRIGHT, HOMGE MACHINERY

← BACK

HOME

PRINT



H O M G E



# MULTI-POWER CNC SUPER VICE

Significantly upgrade CNC Machining Centers



**PATENTED**  
M 4 5 8 4 8 9  
M 3 9 5 7 5 1  
M 2 7 8 5 1 1  
M 3 9 0 8 3 8  
M 4 3 5 3 3 5

- Shortest Length with Big Jaw Opening
- Extremely High Accuracy and Repeatability
- Special MULTI-POWER design enhances clamping force of **0~8000 KG**
- Suitable for Gantry-Type machining center

恒 信 工 業 有 限 公 司  
**HOMGE**  
MACHINERY IND. CO., LTD.

HOME

PRINT

NEXT ▶



PATENTED  
M 5 2 3 5 4 5  
M 2 7 8 5 1 1

# MULTI-POWER CNC SUPER VISE

## Model: HPAQ - 100, 130



- Shortest Length with Big Jaw Opening
- Extremely High Accuracy and Repeatability
- Special MULTI-POWER design enhances clamping force of **0~5500 KG**



← BACK

HOME

PRINT

NEXT →

**1.** **Vise Fixed Jaw** is made by **high quality steel** and **HARDENED** to **HRC 55°**. Vise body is made of Ductile Iron above FCD 60 grade for high precision and durability. With a force of 2500kg, the shape will deflect less than **0.005mm**.

**2.** Slide ways are **HARDENED** to **HRC 50°** to further increase durability and maintain positioning height over long use.

**3.** The **Special ANGLE-LOCK SYSTEM** with compact design and high-grade iron of over FCD 60 grade for high rigidity automatically pulls the work-piece down to the accurate position of within **0.005mm** under 2500kg of pressure. This vise is most suitable for precision mould making on Machining Centers.

**4.** Vise can be mounted horizontally or vertically.

**5.** The patented **MULTI-POWER SYSTEM** built of **HIGH GRADE BEARING STEEL** doubles the clamping force. **This special patented system makes the clamping force constant.**

**6.** **Adjusting stop ring:** this simple and effective presetting device enables to **preset each desired clamping force** and it guarantees to repeat each clamping operation at the same clamping force.



**STANDARD ACCESSORIES:**

- 2 pcs of Alignment Wedge
- 4 pcs of Clamp
- 1 pc of Handle

**OPTIONAL ACCESSORIES**

- Cross Grooved Jaws
- "V" Jaws
- Combined Jaws
- Step Jaws

**PAT.**



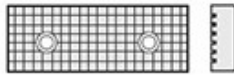
The patented **MULTI-POWER SYSTEM** built of **HIGH GRADE BEARING STEEL** provides extremely high clamping pressure. The pressure is more consistent and eliminates all leakage and maintenance problems associated with Hydraulic Vises.

**Fixed height** so several vises can be used together.

This vise is highly suitable for precision mould making on machining centers as well as heavy duty machining which required high clamping force with high accuracy.



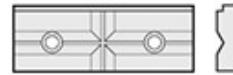
## OPTIONAL ACCESSORIES:



1) Cross Grooved Jaws



2) 'V' Jaws



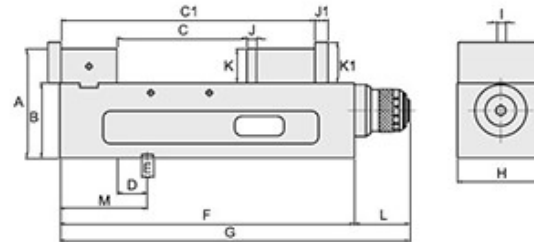
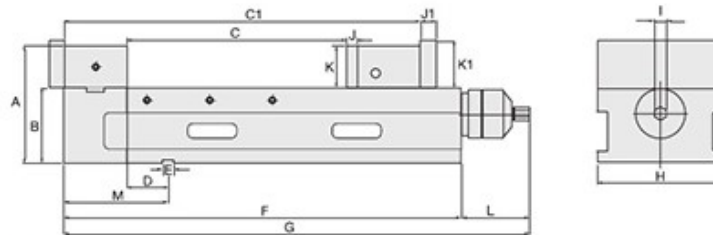
3) Combined Jaws



4) Step Jaws

## DIMENSIONS

HPAQ-100, 130

HPAQ - 160, 200, 250,  
160L, 200L

## SPECIFICATIONS (Material: FCD 60 Ductile Iron, Hardness: HRC 50°)

Unit: mm

Model	A	B	C	C1	D	E	F	G	H
HPAQ-100	145	105±0.01	0-170	185-350	65±0.02	18	420	507	104
HPAQ-130	163	115±0.01	0-205	195-395	57±0.02	18	470	557	134
HPAQ-160	168	115±0.01	0-300	195-490	57±0.02	18	560	677	160
HPAQ-200	187	120±0.01	0-350	220-570	66±0.02	18	637	754	200
HPAQ-250	187	120±0.01	0-450	220-670	66±0.02	18	746	863	250
HPAQ-160L-400	168	115±0.01	0-400	206-600	57±0.02	18	665	792	160
HPAQ-160L-500	168	115±0.01	0-500	206-700	57±0.02	18	765	892	160
HPAQ-160L-650	168	115±0.01	0-650	206-860	57±0.02	18	925	1042	160
HPAQ-200L-500	187	120±0.01	0-500	220-720	66±0.02	18	806	923	201
HPAQ-200L-600	187	120±0.01	0-600	220-820	66±0.02	18	910	1027	201
HPAQ-200L-850	187	120±0.01	0-850	220-1070	66±0.02	18	1156	1273	201
HPAQ-200L-1140	187	120±0.01	0-1140	220-1360	66±0.02	18	1446	1563	201

Model	I	J	J1	K	K1	L	M	Max. Clamping Force	Weight (kg)
HPAQ-100	14	15	20	40	50	87	145	4000 kg	40
HPAQ-130	14	15	20	48	58	87	145	5500 kg	50
HPAQ-160	19	15	21	53	63	117	145	8000 kg	73
HPAQ-200	19	18	25	66	75	117	168	8000 kg	120
HPAQ-250	19	18	24	66	75	117	168	8000 kg	140
HPAQ-160L-400	19	15	21	53	63	117	145	8000 kg	83
HPAQ-160L-500	19	15	21	53	63	117	145	8000 kg	92
HPAQ-160L-650	19	15	21	53	63	117	145	8000 kg	107
HPAQ-200L-500	19	18	24	66	75	117	168	8000 kg	144
HPAQ-200L-600	19	18	24	66	75	117	168	8000 kg	160
HPAQ-200L-850	19	18	24	66	75	117	168	8000 kg	190
HPAQ-200L-1140	19	18	24	66	75	117	168	8000 kg	217



Factory: No 287, Sec. 1, Shenlin Rd., Daya Dist., Taichung City 428, Taiwan  
 Tel: 886-4-2567 2057 . 2566 6158 | Fax: 886-4-2567 2016 . 2568 6099  
 E-mail: homge@ms22.hinet.net | http://www.homge.com.tw



©2016 COPYRIGHT, HOMGE MACHINERY

← BACK

HOME

PRINT

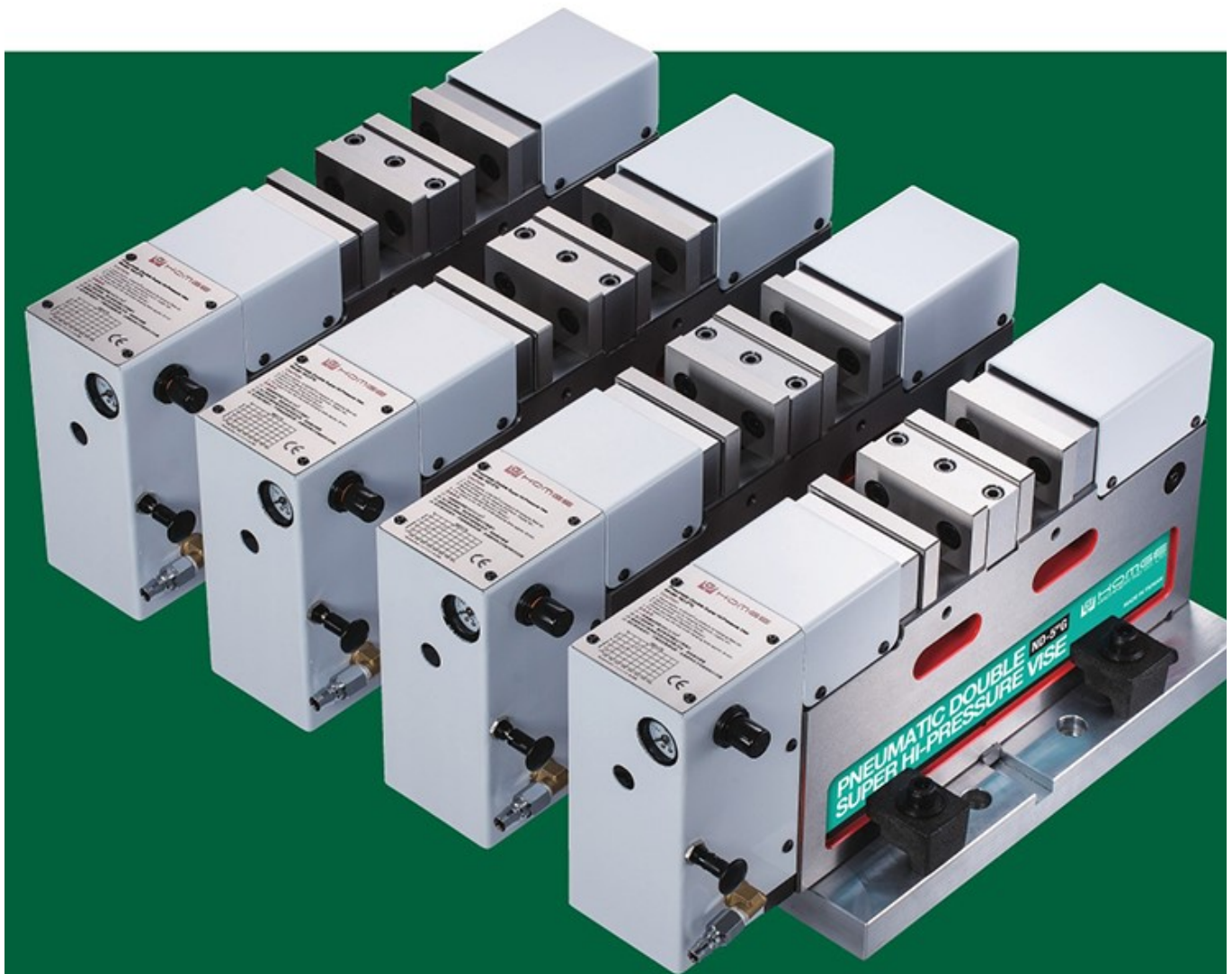


H O M G E



# PNEUMATIC DOUBLE SUPER HI-PRESSURE VISE

Significantly upgrade CNC Machining Centers



- High-Force Cylinders hardly malfunction
- Fixed Height so several vises can be used together

恒 信 工 業 有 限 公 司  
**HOMGE**  
MACHINERY IND. CO., LTD.

[HOME](#)[PRINT](#)[NEXT ▶](#)

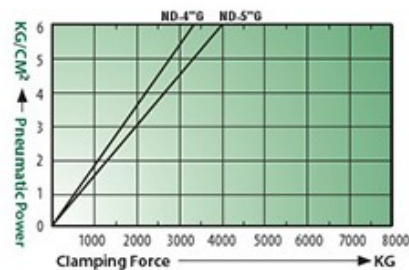
# PNEUMATIC DOUBLE SUPER HI-PRESSURE VISE

## Model: ND-4"G, 5"G

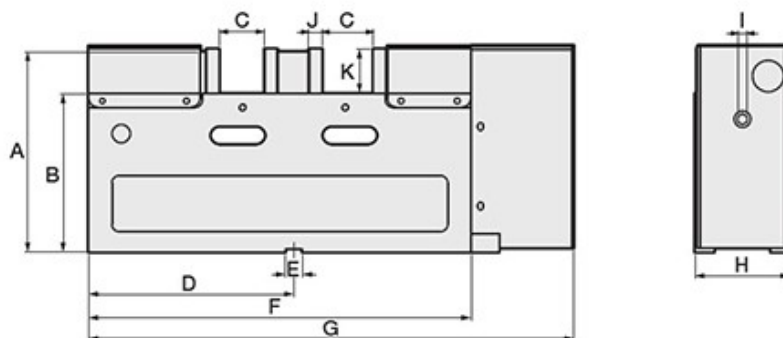
1. The vise can hold 2 workpieces of different sizes. Allows an extra tolerance of up to 2 mm in workpieces.
2. Special High-Force Cylinders are designed to enhance clamping force of 0-4000kg and can be adjusted depends on the material of work-piece.
3. Vise body is made of Ductile Iron above FCD 60 grade for high precision and durability. Slide ways are HARDENED to HRC 50° to further increase durability and maintain positioning height over long use.
4. Pressure Adjusting Knob: for quick operations.
5. High-Force Cylinders hardly malfunction.
6. Special safety device to ensure the vise holds clamping force 20 minutes if the air supply is cut.
7. Safety range is 4 mm.



Pneumatic power source 6kg/cm<sup>2</sup>



## DIMENSIONS



## SPECIFICATIONS (Material: FCD 60 ductile Iron. Hardness: HRC50°)

Unit: mm

Model	A	B	C	D	E	F	G	H	I
ND-4"G	215	170±0.01	0-50	220±0.02	18	410	520	102	10
ND-5"G	222	170±0.01	0-95	270±0.02	18	510	620	130	10

Model	J	K	Max. Clamping Force	Safety Range	Weight (kg)
ND-4"G	15	48	0-3300 kg	4 mm	45
ND-5"G	15	55	0-4000 kg	4 mm	65



恒 信 工 業 有 限 公 司  
**HOMGE**  
MACHINERY IND. CO., LTD.

Factory: No 287, Sec. 1, Shenlin Rd., Daya Dist., Taichung City 428, Taiwan  
Tel: 886-4-2567 2057 . 2566 6158 | Fax: 886-4-2567 2016 . 2568 6099  
E-mail: homge@ms22.hinet.net | <http://www.homge.com.tw>

© 2017 COPYRIGHT, HOMGE MACHINERY



← BACK

HOME

PRINT

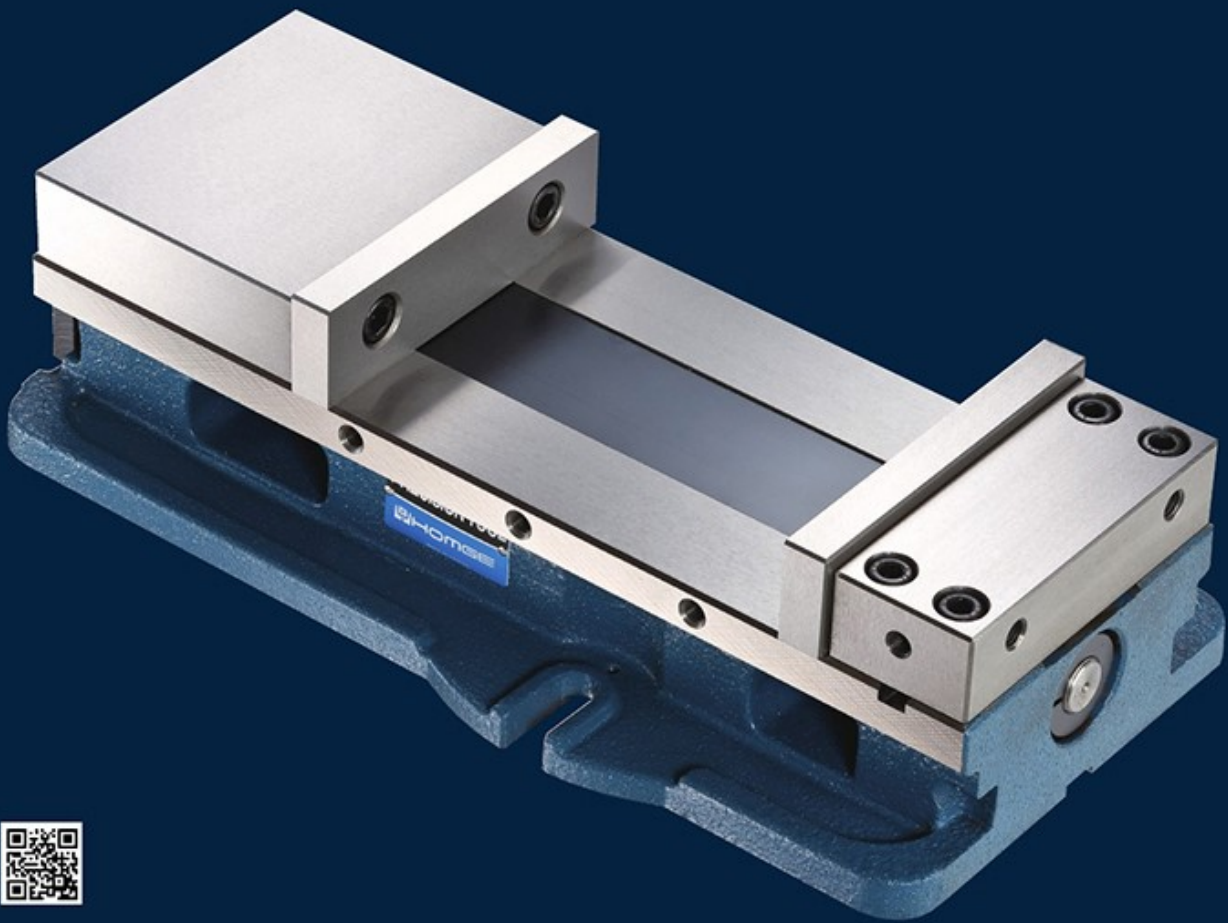




## PRECISION ANGLE LOCK

# VICE

Significantly upgrade any kinds of Machining Centers



- **Super-Big Jaw Opening**
- **Two Sides of Vice Body can be used as Datum Surfaces**

[HOME](#)[PRINT](#)[NEXT ▶](#)



# Precision Angle Lock Vice

## (Front-Pulling Type)

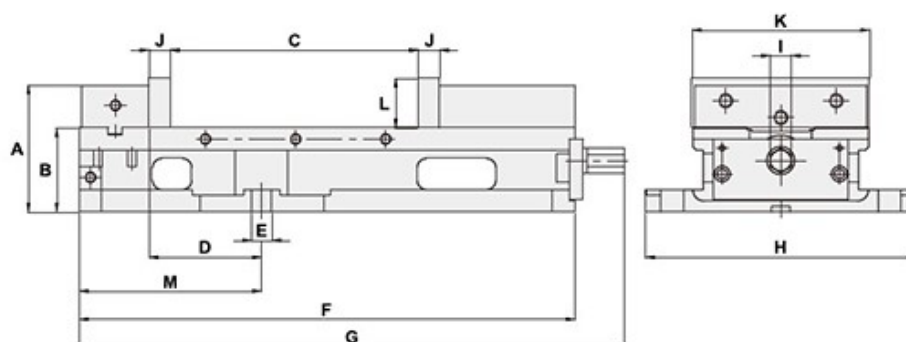
**Model: TV-6" SUPER-OPEN 10"**  
**TV-8" SUPER-OPEN 12"**

- Super-Big Jaw Opening: 10" for TV-6" and 12" for TV-8"
- Advanced clamping style by front pulling, which enhances the clamping force and its accuracy
- Constructed with wider fixed jaw by 4 bolts locked on top and lager keyway to ensure accuracy and durability
- Two sides of Vice Body can be used as datum surfaces
- **Fixed height (B), fixed positioning (D), and sided datum surfaces** are the advantages of this vice



**OPTIONAL ACCESSORY:**  
Swivel Base

### DIMENSIONS



### SPECIFICATIONS (Material: FCD 60 ductile Iron, Hardness: HRC 50\*)

Unit: mm

Model	A	B	C	D	E	F	G	H	I
TV-6" Super-Open 10"	113	77	250	100	16	455	484	240	19
TV-8" Super-Open 12"	139	87	305	138	16	570	620	300	19

Model	J	K	L	M					Weight (kg)
TV-6" Super-Open 10"	19	160	44	162	250	329	389	468	36
TV-8" Super-Open 12"	24	215	61	230	305	419	469	583	62



Factory: No.287, Sec. 1, Shenlin Rd., Daya Dist., Taichung City 428, Taiwan  
Tel: 886-4-2567 2057 . 2566 6158 | Fax: 886-4-2567 2016 . 2568 6099  
E-mail: homge@ms22.hinet.net | <http://www.homge.com.tw>



©2016 COPYRIGHT, HOMGE MACHINERY

← BACK

HOME

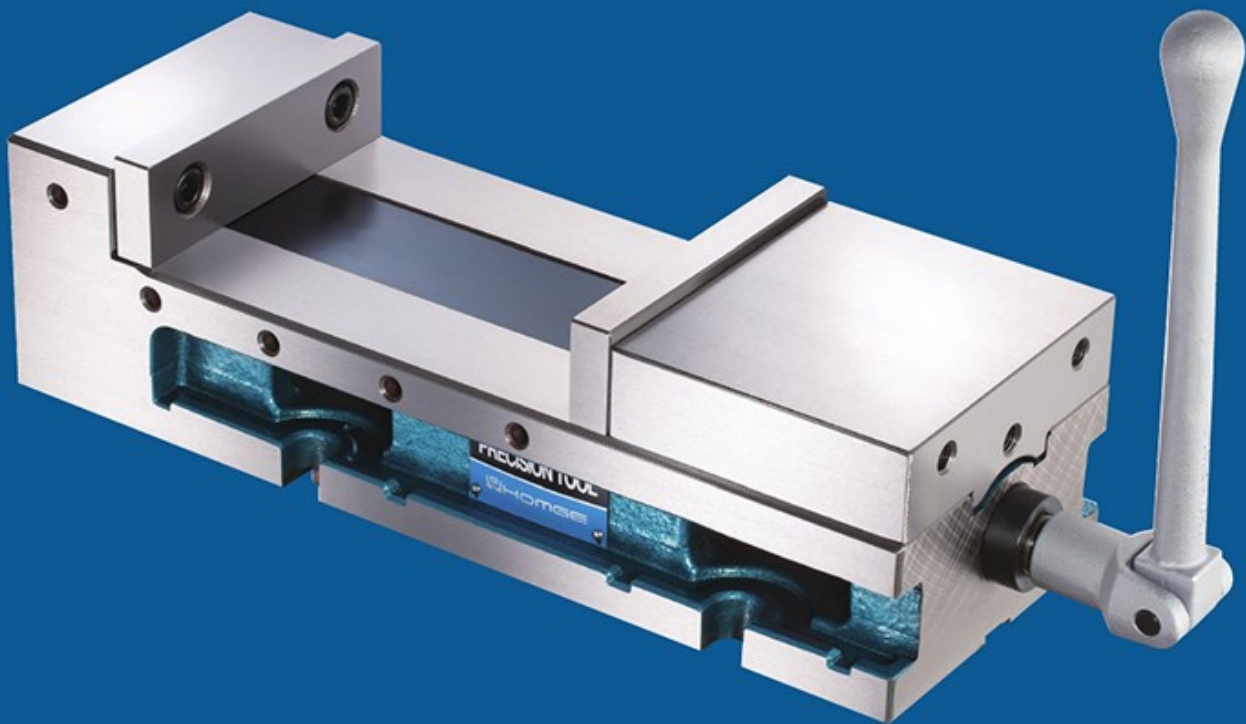
PRINT



## SUPER-OPEN M/C ANGLE

# WISE

Significantly upgrade CNC Machining Centers



- Super-Big Jaw Opening
- ANGLE-LOCK SYSTEM ensure to pull the work-piece down

[HOME](#)[PRINT](#)[NEXT ▶](#)

# SUPER-OPEN M/C ANGLE VICE

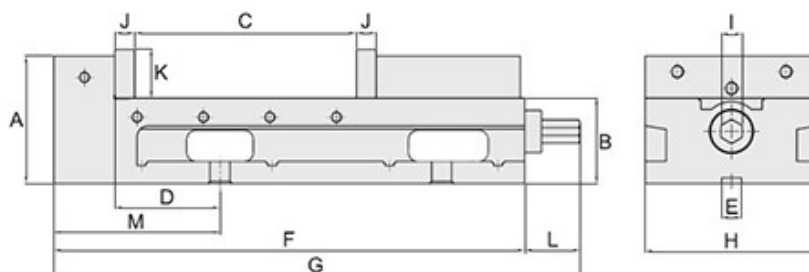
PATENTED  
M338717

Model: **GH-6" SUPER-OPEN 8"**  
**GH-8" SUPER-OPEN 12"**

- Super-Big Jaw Opening
- Designed with one-piece vice body, both sides grounded precisely
- **ANGLE-LOCK SYSTEM** ensure to pull the work-piece down
- **Fixed Height**, so several vices can be used together



**STANDARD ACCESSORIES:**  
2 pcs of Alignment Wedge

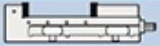

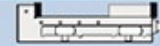
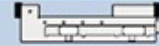


## SPECIFICATIONS (Material: FCD 55 Ductile Iron. Hardness: HRC 45°)

Unit: mm/inch

MODEL	A	B	C	D	E	F	G	H	I	J	K	L	M	Weight (kg)
GH-6" Super-Open 8"	115	77	205	95	18	425	475	156	19	18	44	50	150	30
GH-8" Super-Open 12"	148	88	300	100	18	560	610	202	19	18	63	50	175	60

MODEL				
GH-6" Super-Open 8"	205	8½	278	11½s
GH-8" Super-Open 12"	300	12	393	15½s



Factory: No.287, Sec. 1, Shenlin Rd., Daya Dist., Taichung City 428, Taiwan  
Tel: 886-4-2567 2057 . 2566 6158 | Fax: 886-4-2567 2016 . 2568 6099  
E-mail: homge@ms22.hinet.net | <http://www.homge.com.tw>



©2016 COPYRIGHT, HOMGE MACHINERY

← BACK

HOME

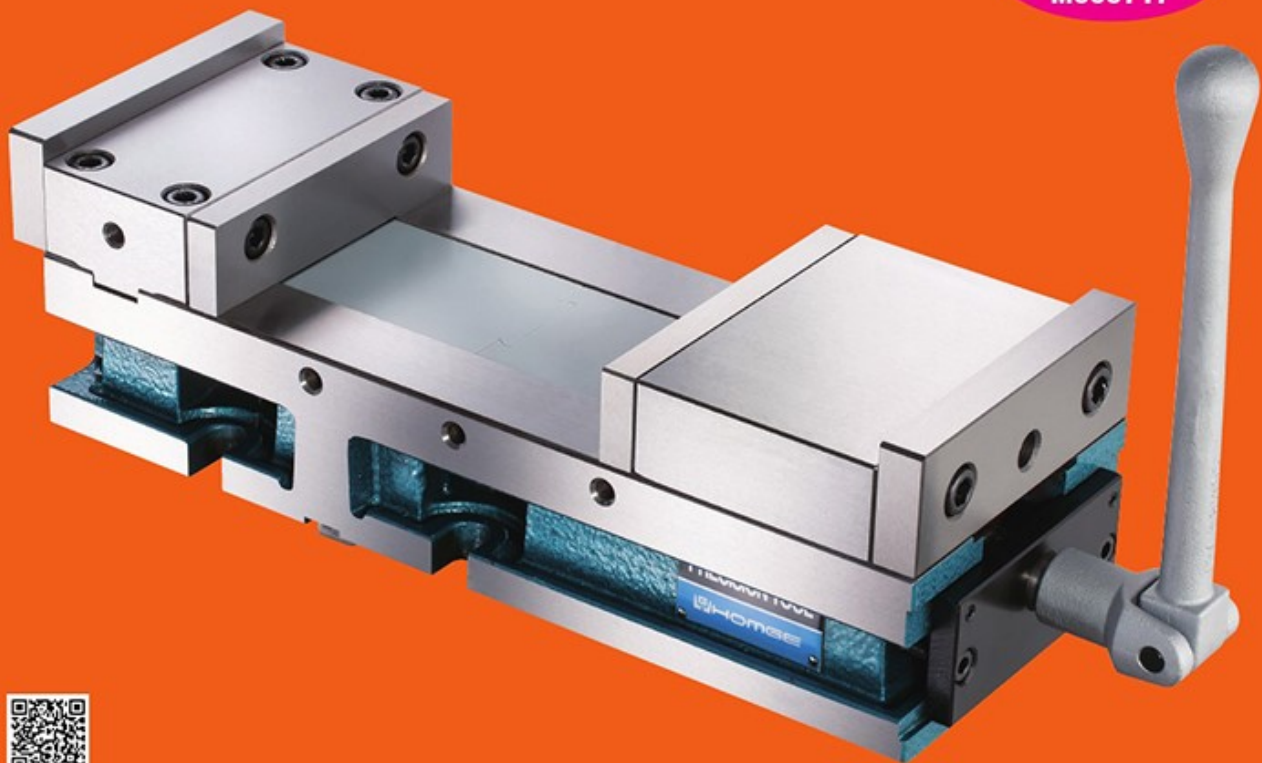
PRINT





# CNC PRECISION VECTOR VISE

Significantly upgrade CNC Machining Centers



- **Super-Big Jaw Opening**
- **ANGLE-LOCK SYSTEM** ensure to pull the work-piece down
- **Fixed Height**, so several vices can be used together

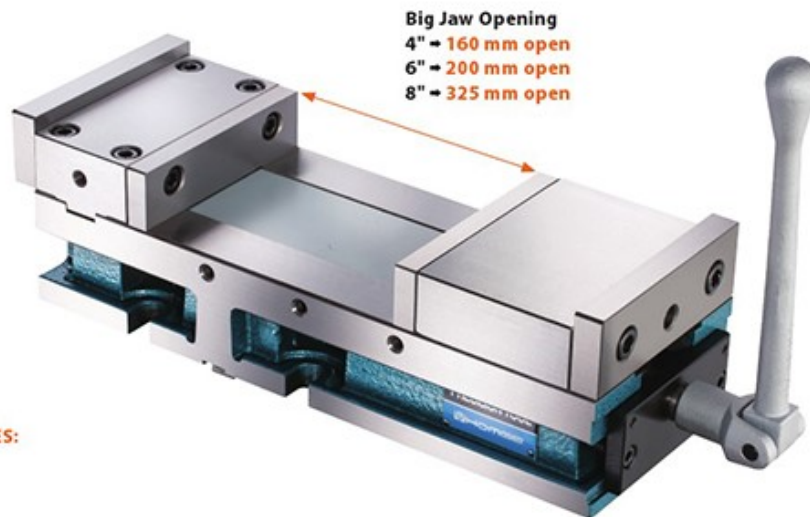
 恒 信 工 業 有 限 公 司  
**HOMGE**  
MACHINERY IND. CO., LTD.

[HOME](#)[PRINT](#)[NEXT ▶](#)

# CNC PRECISION VECTOR VICE

## Model: HVV-4", 6", 8"

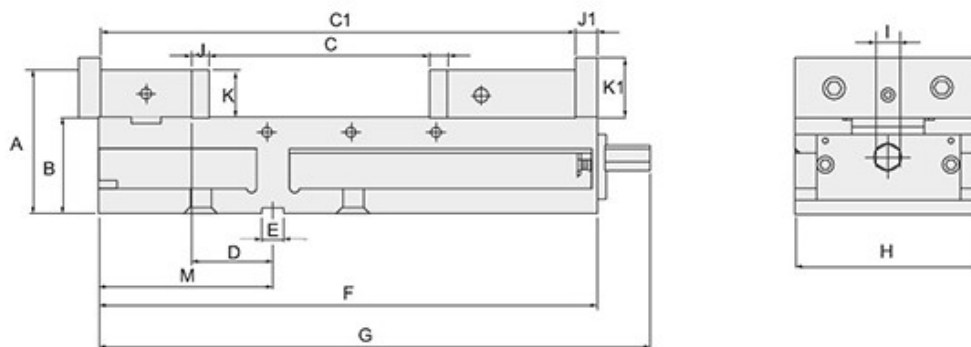
PATENTED  
M278511  
M338717



### STANDARD ACCESSORIES:

1 Set of Front/Back Jaws  
4 pcs of Clamp

### DIMENSIONS



### SPECIFICATIONS (Material: FCD 60 Ductile Iron, Hardness: HRC 50+)

Unit: mm

MODEL	A	B	C	C1	D	E	F	G	H
HVV-4"	91	62±0.01	160	320	73±0.02	18	325	365	105
HVV-6"	120	80±0.01	200	410	68±0.02	18	419	468	154
HVV-8"	136	84±0.01	325	550	76±0.02	18	556	612	202
MODEL	I	J	J1	K	K1	M	Weight (kg)		
HVV-4"	14	15	18	28.5	37	120±0.02	18		
HVV-6"	19	15	18	39.5	50	145±0.02	37		
HVV-8"	19	18	21	51.5	60	168±0.02	60		



Factory: No.287, Sec. 1, Shenlin Rd., Daya Dist., Taichung City 428, Taiwan  
Tel: 886-4-2567 2057 . 2566 6158 | Fax: 886-4-2567 2016 . 2568 6099  
E-mail: homge@ms22.hinet.net | <http://www.homge.com.tw>



©2016 COPYRIGHT, HOMGE MACHINERY

← BACK

HOME

PRINT

H O M G E



# PNEUMATIC SUPER HI-PRESSURE VICE

Significantly upgrade CNC Machining Centers



- High-Force Cylinders hardly malfunction
- Fixed Height so several vices can be used together

恒 德 工 業 有 限 公 司  
**HOMGE**  
MACHINERY IND. CO., LTD.

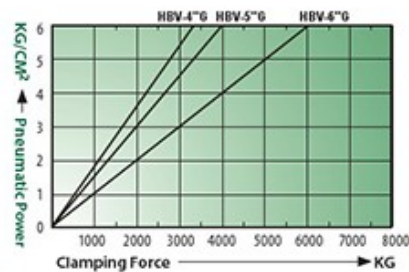
[HOME](#)[PRINT](#)[NEXT ▶](#)



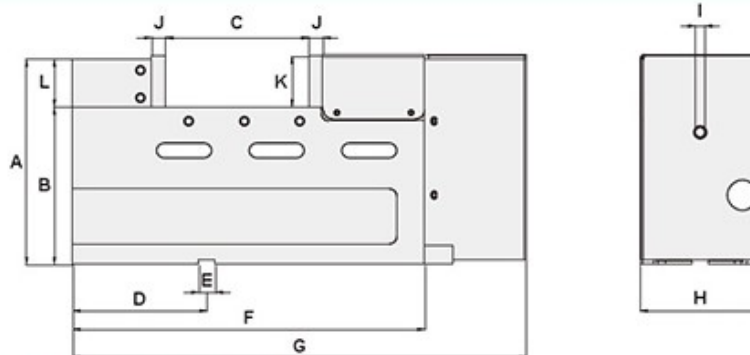
# PNEUMATIC SUPER HI-PRESSURE VICE

## Model: HBV-4"G, 5"G, 6"G

1. Special **High-Force Cylinders** are designed to enhance clamping force of 0-6000kg and can be adjusted depends on the material of work-piece.
2. Vice body is made of Ductile Iron above FCD 60 grade for high precision and durability.
3. Slide ways are **HARDENED to HRC 50°** to further increase durability and maintain positioning height over long use.
4. The special **ANGLE-LOCK SYSTEM** with compact design for high rigidity automatically pulls the work-piece down to the accurate position.
5. **High-Force Cylinders** hardly malfunction.
6. Special **safety device** to ensure the vice holds clamping force 20 minutes if the air supply is cut.
7. Safety range is **4-4.5 mm**.

Pneumatic power source 6kg/cm<sup>2</sup>

## DIMENSIONS



## SPECIFICATIONS (Material: FCD 60 ductile Iron. Hardness: HRC50+)

Unit: mm

Model	A	B	C	D	E	F	G	H	I
HBV-4"G	215	170±0.01	105	145±0.02	18	320	430	102	10
HBV-5"G	222	170±0.01	155	145±0.02	18	380	490	130	10
HBV-6"G	245	190±0.01	205	145±0.02	18	440	550	161	10

Model	J	K	L	Max. Clamping Force	Safety Range	Weight (kg)
HBV-4"G	15	48	45	0-3300 kg	4 mm	30
HBV-5"G	15	55	52	0-4000 kg	4 mm	50
HBV-6"G	15	58	55	0-6000 kg	4.5 mm	63



Factory: No.287, Sec. 1, Shenlin Rd., Daya Dist., Taichung City 428, Taiwan  
Tel: 886-4-2567 2057 . 2566 6158 | Fax: 886-4-2567 2016 . 2568 6099  
E-mail: homge@ms22.hinet.net | <http://www.homge.com.tw>

© 2016 COPYRIGHT, HOMGE MACHINERY



← BACK

HOME

PRINT

H O M G E



# ELECTRO-PERMANENT MAGNETIC CHUCK

Suitable for application on CNC Machining Centers



恒 佑 工 業 有 限 公 司  
**HOMGE**  
MACHINERY IND. CO., LTD.

HOME

PRINT

NEXT ▶



## 永磁式磁力虎鉗

# Permanent Magnetic Vise

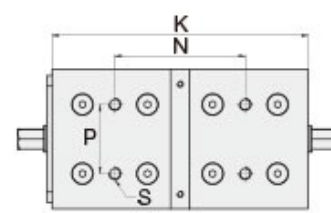
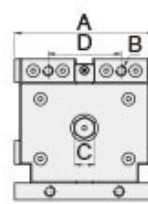
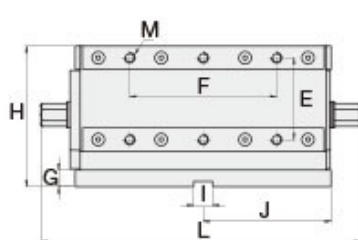
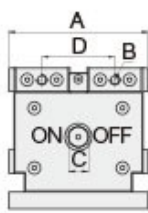
## ECMC-220.130

- Suitable for the magnetic material processing
- Quick clamping the workpiece and provide five-sided processing
- Work with various magnetic soft jaws, flexible adjustment and configuration according to processing needs
- 適用於導磁材料加工
- 快速夾持工件，可做五面切削加工
- 替換性導磁軟爪可做多功能之工件夾持加工



### STANDARD ACCESSORIES (標準配件):

- 2 pcs of Stopping Block / 擋板
- 4 pcs of Clamp / 壓板
- 1 pc of Handle / 開關把手
- 2 pcs of Alignment Wedge / 定位鍵



### SPECIFICATIONS

Unit: mm

Model	A	B	C	D	E	F	G	H	I	J	K	L
ECMC-220	133	M10	19	69.5	78	140	15	134	18	122	244	305
ECMC-130	108	M8	13	56.5	62	95	12	108	18	99	198	230

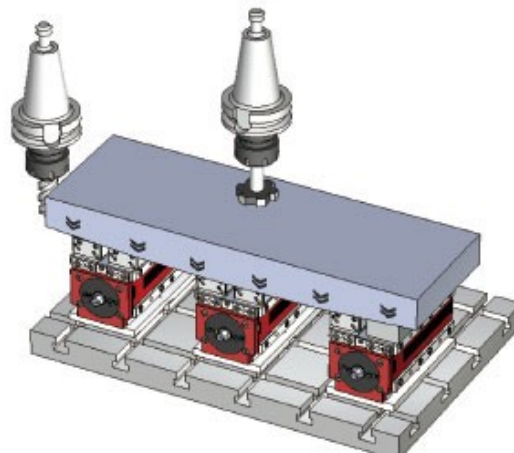
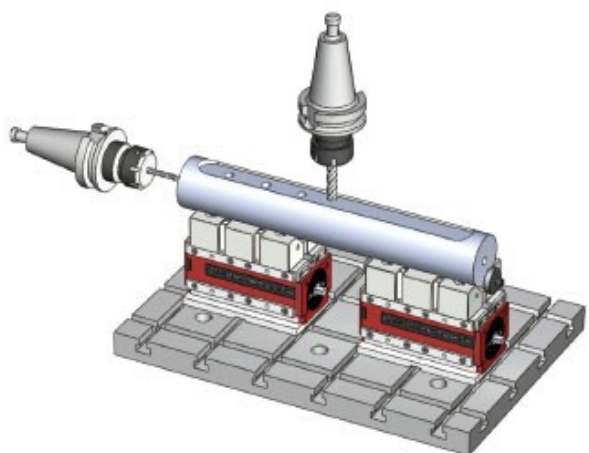
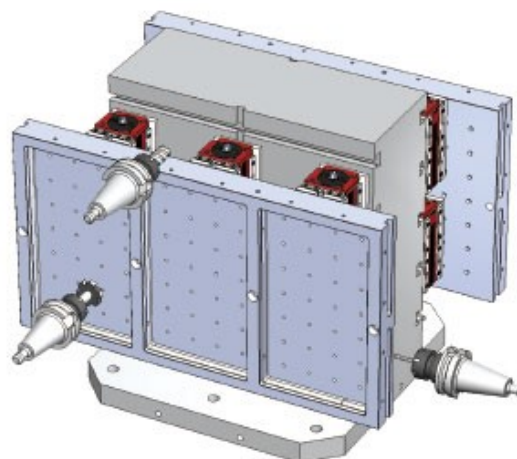
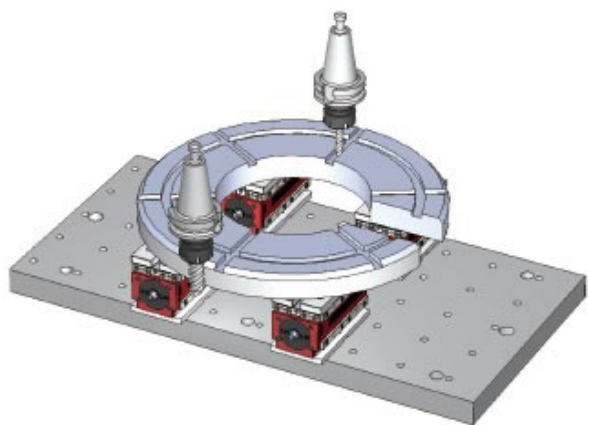
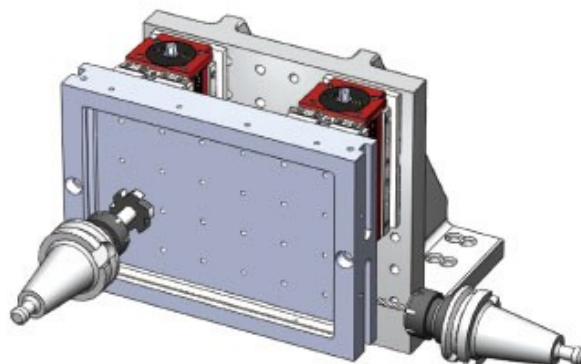
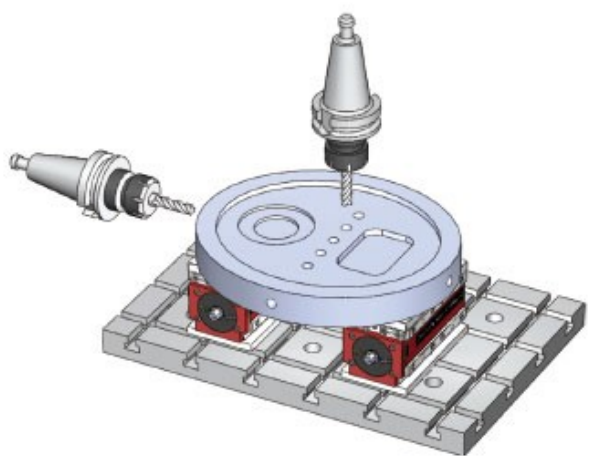
Model	M	N	P	S	Holding magnetic force 夾持吸力	Minimum workpiece thickness requirement 最小工件厚度要求	Weight (kg) 重量
ECMC-220	M10	124	66	M12	2100kg±5%	30	39
ECMC-130	M8	100	48	M10	1200kg±5%	20	20

[← BACK](#)
[HOME](#)
[PRINT](#)
[NEXT →](#)



## 永磁式磁力虎鉗應用範例

### Applications:

[← BACK](#)[HOME](#)[PRINT](#)[NEXT →](#)

## 永磁電控磁盤

# Electro-Permanent Magnetic Chuck

### Features:

1. Electro-Permanent Magnetic Chuck structure design, use the natures of different permanent magnetic materials, through electronic control system control and convert the distribution of internal magnetic circuit, magnetize the magnetic disk (i.e. in tight clamping state), and demagnetize (i.e. in loose state).
2. Magnetization and demagnetization time is only 3 ~ 12 seconds. After completion, it does not need to continuously supply power to produce safe and strong magnetic force. It does not have the problem with temperature rise. It can last for a long time. The maintenance is easy. No repair is needed. It is both economic and environment friendly.
3. Shorten workpiece installation time, fast mold change, save work time, increase productivity.
4. Strong and stable magnetic force, assure tight fastening of workpiece, high processing precision.

### Use and Applicable Areas:

1. General cutting and processing for all kinds of iron parts, rapid mold change, suitable for CNC vertical computer milling machine and horizontal computer milling machine, general milling machine precision machining; the Electro-Permanent Magnetic Chuck is highly mobile, suitable for any machine.
2. Workpiece thickness requirement  
ECMC-A Series: above 15mm  
ECMC-B Series: above 25mm  
ECMC-C Series: above 40mm  
ECMC-D Series: above 50mm
3. As workpiece is clamped, strongest magnetic force is achieved when the contact is from more than 4 magnetic poles.
4. Magnetic pole dimensions 50 x 50mm, suitable for general cutting and processing for small and medium workpiece.
5. Magnetic pole dimensions 70 x 70mm, suitable for general cutting and processing for medium and large workpiece.
6. Work with various magnetic soft jaws and moveable spring pads, flexible adjustment and configuration according to processing needs.

### 特點:

1. 永磁電控磁盤結構設計，利用不同永磁材料的不同特性，通過電控系統對內部磁路分布進行控制與轉換，使磁盤產生充磁（即夾緊狀態），與退磁（即放鬆狀態）。
2. 充、退磁時間僅需 3~12 秒即可完成，完成後不需持續供電，即能產生安全、強勁的吸力，無溫升的問題，可長時間使用、方便保養無須維修，既經濟又環保。
3. 縮短工件裝置時間，快速換模，節省工時可提升產能。
4. 磁力強大且穩定，確保工件裝夾牢固，加工精準度高。

### 用途及適用領域:

1. 各種鐵質零件綜合切銷加工，快速換模，適用於 CNC 立式電腦銑床及臥式電腦銑床，一般銑床精密加工；本磁盤機動性高，適用於任何機台上。
2. 工件厚度要求  
ECMC-A 系列：15mm 以上。  
ECMC-B 系列：25mm 以上。  
ECMC-C 系列：40mm 以上。  
ECMC-D 系列：50mm 以上。
3. 工件夾持時，吸力最強需有 4 個以上之磁極接觸面。
4. 磁極尺寸 50x50mm，適用於小、中型工件之綜合切削加工。
5. 磁極尺寸 70x70mm，適用於中、大型工件之綜合切削加工。
6. 可搭配各式導磁軟爪，活動彈簧墊塊使用，依不同加工需求及用途靈活調整、配置。

## 磁極磁幅與工件厚度對應

# Magnetic Amplitude & Workpiece Thickness



ECMC-A Series

Magnetic Pole: 35x35mm  
Magnetic amplitude 15mm  
Suitable for small workpiece  
磁極35x35mm，磁幅高度1.5mm  
適用小型工件



ECMC-B Series

Magnetic Pole: 50x50mm  
Magnetic amplitude 25mm  
Suitable for medium workpiece  
磁極50x50mm，磁幅高度25mm  
適用中型工件



ECMC-C Series

Magnetic Pole: 70x70mm  
Magnetic amplitude 40mm  
Suitable for medium to large workpiece  
磁極70x70mm，磁幅高度40mm  
適用中大型工件



ECMC-D Series

Magnetic Pole: 91x91mm  
Magnetic amplitude 50mm  
Suitable for large workpiece  
磁極91x91mm，磁幅高度50mm  
適用大型工件

← BACK

HOME

PRINT

NEXT →



## 電控磁盤控制器

# ECMC-Controller (for Electro-Permanent Magnetic Chuck)



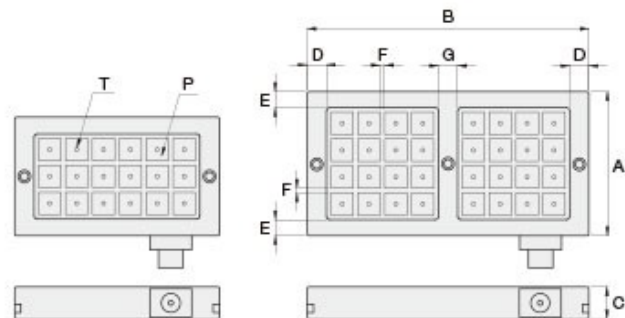
### SPECIFICATIONS

Unit: mm

Model	VOLTAGE (Single Phase) / 電壓(單相)	Dimensions / 尺寸			Weight (kg) / 重量
		W	L	H	
1N1C	AC 220V/AC380V ~ 440V	192	280	130	4.1
1N2C					4.1
1N3C					4.1
1N4C					4.1

## ECMC-A Series

Pole Size: 35x35mm



Model length 320mm  
型號長度 320mm

Model length above 440mm  
型號長度 440mm 以上

### SPECIFICATIONS POLE SIZE:35x35mm, MAGNETIC FORCE: 580 ± 5% kgf/49cm<sup>2</sup> (4 POLES)

Unit: mm

Model - A	A	B	C	D	E	F	G	POLE P 磁極	NO.OF POLE 磁極數	T	Netweight (KG) 淨重	Voltage (Single phase) 電壓(單相)	Controller (Included) 控制器
ECMC-1530	185	320		30.5	26		-	35X35	18	M6	23	AC 220V ~ 440V	1N1C
ECMC-2340	225	440		30	25		30		32		39		1N1C
ECMC-2560	225	610		31	25		30		48		54		1N2C
ECMC-3131	310	320		30.5	25.5		-		36		39		1N1C
ECMC-3140	310	440	52	30	25.5	7	30		48		53		1N2C
ECMC-3160	310	610		31	25.5		30		72		74		1N2C
ECMC-4344	435	440		30	25		30		72		75		1N2C
ECMC-4350	435	525		30.5	25		30		90		90		1N4C
ECMC-4359	435	610		31	25		30		108		104		1N4C

可接受特殊規格訂做，歡迎洽詢！

**We Accept Order for customized specifications.**

← BACK

HOME

PRINT

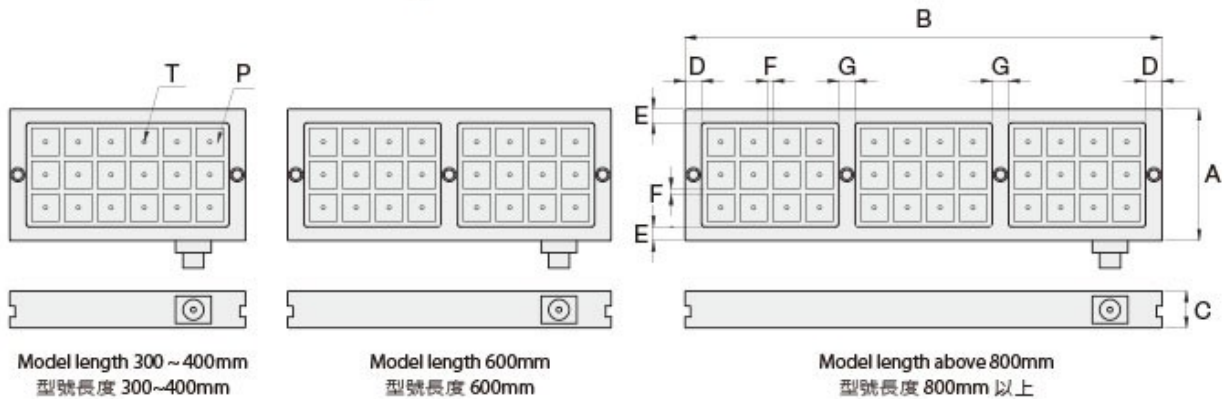
NEXT →





## ECMC-B Series

### Pole Size: 50x50mm



#### SPECIFICATIONS POLE SIZE: 50x50mm, MAGNETIC FORCE: 1250±5% kgf/100cm<sup>2</sup> (4 POLES)

Unit: mm

MODEL - B	A	B	C	D	E	F	G	POLE P 磁極	NO. OF POLE 磁極數	T	N.W. (KG) 淨重	Voltage (Single phase) 電壓(單相)	Controller (Included) 控制器	Voltage (Single phase) 電壓(單相)	Controller (Included) 控制器
ECMC-1919	180	180	62	25			-		4		16		1N1C		1N1C
ECMC-2525	240	250	62				-		9		29		1N1C		1N1C
ECMC-2531	240	310	62				-		12		36		1N1C		1N1C
ECMC-2543	240	430	62				-		18		52		1N1C		1N1C
ECMC-2550	240	490	62				-		21		57		1N1C		1N1C
ECMC-2559	240	590	62				30		24		71		1N1C		1N1C
ECMC-2582	240	810	62				30		33		95		1N1C		1N1C
ECMC-2587	240	870	62				30		36		101		1N1C		1N1C
ECMC-2599	240	990	62				30		42		115		1N2C		1N2C
ECMC-3031	300	310	62				-		16		46		1N1C		1N1C
ECMC-3043	300	430	62				-		24		63		1N1C		1N1C
ECMC-3059	300	590	62				30		32		85		1N1C		1N1C
ECMC-3082	300	810	62				30		44		120		1N2C		1N2C
ECMC-3087	300	870	62				30		48		127		1N2C		1N2C
ECMC-3099	300	990	62				30		56		143		1N2C		1N2C
ECMC-4343	420	430	62	30	25	10	-	50X50	36	M8	87	AC 220V	AC 380V~ 440V	1N1C	1N1C
ECMC-4349	420	490	62				-		42		102		1N2C		1N2C
ECMC-4359	420	590	62				30		48		120		1N2C		1N2C
ECMC-4382	420	810	62				30		66		164		1N2C		1N2C
ECMC-4387	420	870	62				30		72		175		1N2C		1N2C
ECMC-4399	420	990	62				30		84		200		1N3C		1N3C
ECMC-4959	480	590	62				30		56		131		1N2C		1N2C
ECMC-4982	480	810	66				30		77		206		1N3C		1N3C
ECMC-4987	480	870	66				30		84		219		1N3C		1N3C
ECMC-4999	480	990	66				30		98		245		1N3C		1N3C
ECMC-5959	600	590	66				30		72		184		1N2C		1N2C
ECMC-6082	600	810	66				30		99		242		1N3C		1N3C
ECMC-6087	600	870	66				30		108		269		1N3C		1N3C
ECMC-5999	600	990	66				30		126		307		1N4C		1N4C
ECMC-7582	750	810	66		40		30		121		305		1N4C		1N4C

◀ BACK

HOME

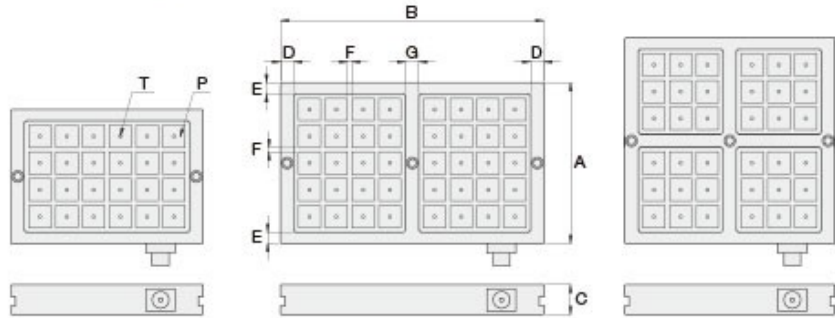
PRINT

NEXT ▶



## ECMC-C Series

### Pole Size: 70x70mm



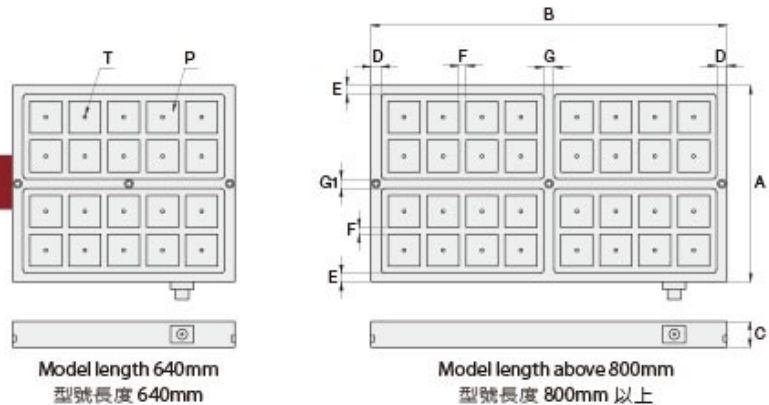
**SPECIFICATIONS** POLE SIZE:70x70mm, MAGNETIC FORCE: 2800 ± 5% kgf/196cm<sup>2</sup> (4 POLES)

Unit: mm

MODEL - C	A	B	C	D	E	F	G	POLE P 磁極	NO. OF POLE 磁極數	T	N.W. (KG) 淨重	Voltage (Single phase) 電壓(單相)	Controller (Included) 控制器	Voltage (Single phase) 電壓(單相)	Controller (Included) 控制器
ECMC-34677	340	670	70					30	18		126		1N2C		1N1C
ECMC-4353C	430	530	70					-	20		126		1N2C		1N1C
ECMC-43677	430	670	70					30	24		159		1N2C		1N1C
ECMC-43857	430	850	70					30	32		202		1N4C		1N2C
ECMC-52678	520	670	80	30	25	20	30	70X70	30	M10	220	AC 220V	1N2C	AC 380V ~ 440V	1N2C
ECMC-52858	520	850	80					30	40		279		1N4C		1N2C
ECMC-66678	660	670	80					30	36		280		1N4C		1N2C
ECMC-66858	660	850	80					30	48		354		1N4C		1N2C
ECMC-84858	840	850	80					30	64		451		1N8C		1N4C

## ECMC-D Series

### Pole Size: 91x91mm



**SPECIFICATIONS** POLE SIZE: 91x91mm, MAGNETIC FORCE: 4800 ± 5% kgf/338cm<sup>2</sup> (4 POLES)

Unit: mm

MODEL - D	A	B	C	D	E	F	G	G1	POLE P 磁極	NO. OF POLE 磁極數	T	N.W. (KG) 淨重	Voltage (Single phase) 電壓(單相)	Controller (Included) 控制器
ECMC-5959	565	640							-	20		214		1N2C
ECMC-59100	565	1025						29	27	32		343		1N2C
ECMC-59130	565	1250	75	30	25	20	30		91X91	40	M10	418	AC 380V ~ 440V	1N4C
ECMC-8080	790	800					28			36		374		1N4C
ECMC-82100	790	1025					29	28		48		480		1N4C
ECMC-82130	790	1250					30			60		585		1N4C

← BACK

HOME

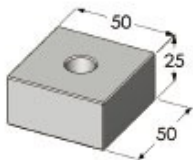
PRINT

NEXT →

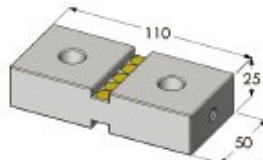


## 選購配件 Optional Accessories

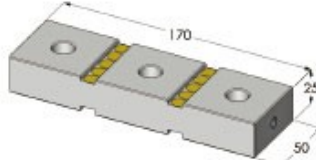
導磁塊 **Magnetic Soft Jaws**  
ECMC-MSJ125B



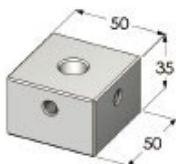
ECMC-MSJ225B



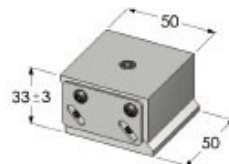
ECMC-MSJ325B



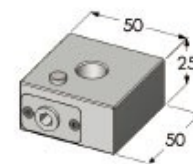
固定塊 **Fixed Soft Jaws**  
ECMC-FSJ50B



活動彈簧墊塊 **Moveable Spring Pads**  
ECMC-MSP50B



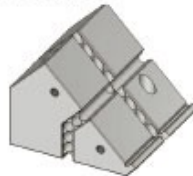
頂高導磁塊 **Top Pin Soft Jaws**  
ECMC-TP50B



**Magnetic Angle Soft Jaws**  
30° 導磁塊  
ECMC-ANG30B



45° 導磁塊  
ECMC-ANG45B



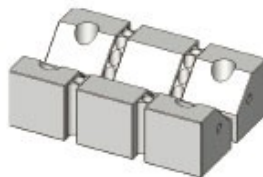
60° 導磁塊  
ECMC-ANG60B



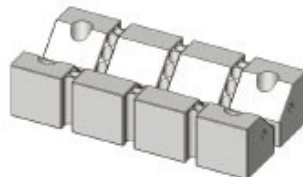
90° 導磁塊  
ECMC-ANG90B



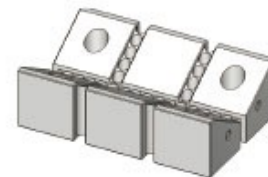
**Magnetic Angle Soft V Jaws**  
90° V 型導磁塊 (3)  
ECMC-ANG90V3B



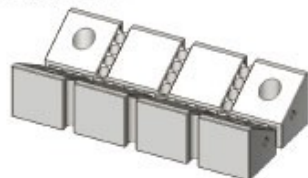
90° V 型導磁塊 (4)  
ECMC-ANG90V4B



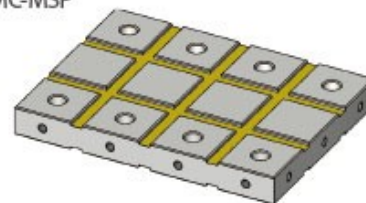
120° V 型導磁塊 (3)  
ECMC-ANG120V3B



120° V 型導磁塊 (4)  
ECMC-ANG120V4B



導磁塊 **Magnetic Soft Plate**  
ECMC-MSP



**HOMGE MACHINERY IND. CO., LTD.**

Factory: No.287, Sec. 1, Shenlin Rd., Daya Dist., Taichung City 428, Taiwan  
Tel: 886-4-2567 2057 . 2566 6158 | Fax: 886-4-2567 2016 . 2568 6099  
E-mail: homge@ms22.hinet.net | <http://www.homge.com.tw>

可接受特殊規格訂做，歡迎洽詢

**We Accept Order for  
customized specifications.**

© 2018 COPYRIGHT. HOMGE MACHINERY.

← BACK

HOME

PRINT